

**READ & UNDERSTAND INSTRUCTIONS BEFORE PROCEEDING.**

WARNING: FIRE HAZARD/ELECTRICAL HAZARD. THIS EQUIPMENT IS INTENDED TO BE INSTALLED ONLY BY QUALIFIED PERSONNEL. THE INSTALLATION MUST BE MADE IN ACCORDANCE WITH THE CURRENT EDITION OF THE NATIONAL ELECTRICAL CODE AND ALL APPLICABLE STATE AND LOCAL ELECTRICAL CODES. THE FINAL INSTALLATION MUST BE APPROVED BY THE APPROPRIATE, QUALIFIED ELECTRICAL/BUILDING INSPECTOR (S). IMPROPER INSTALLATION MAY RESULT IN A FIRE OR ELECTRICAL HAZARD.

**INSTRUCTION SHEET**

**3SIS04-04**

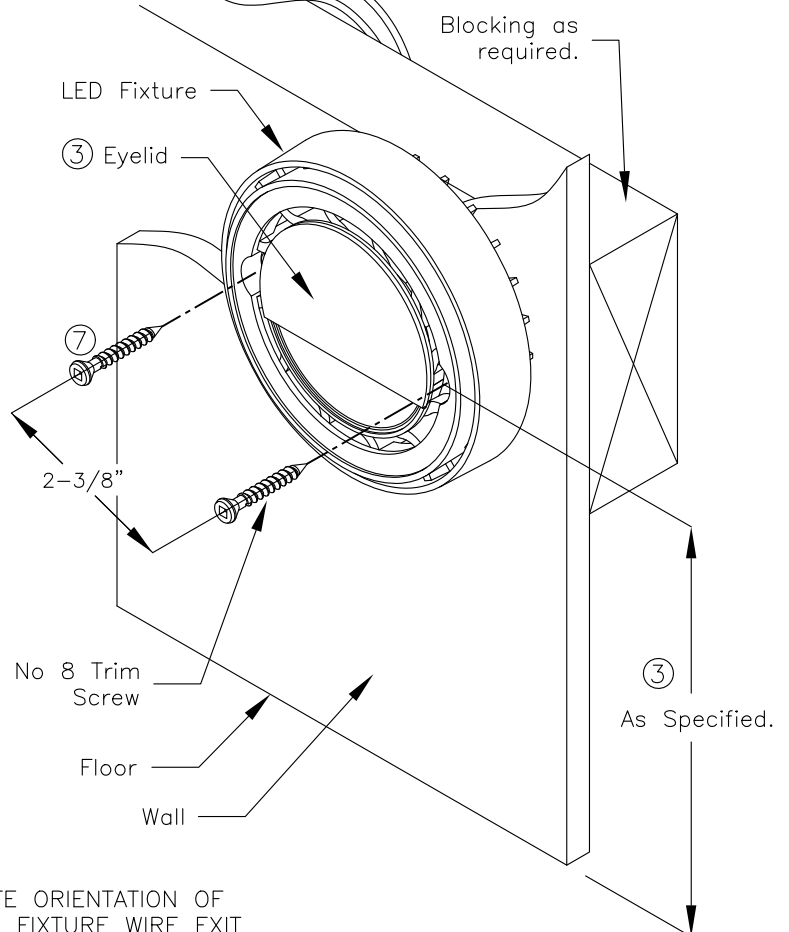
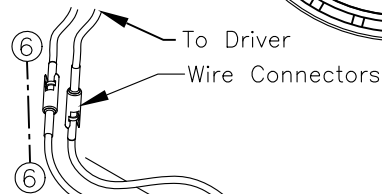
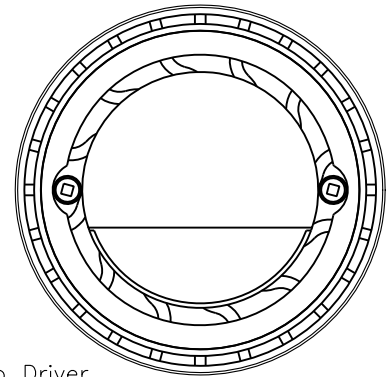
**SURFACE HALL | STEP LIGHT**

P/N: 3S-IS1002

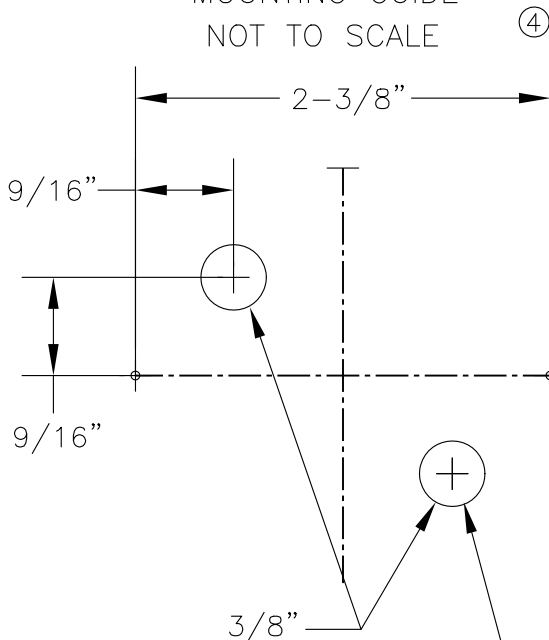
1. ALWAYS DISCONNECT POWER BEFORE INSTALLATION AND/OR REMOVAL OF UNIT.  
WARNING!! DO NOT CONNECT LED TO DRIVER WHILE DRIVER IS ENERGIZED. DRIVER MUST BE LISTED FOR CLASS 2 OPERATION. MAX 350mA OUTPUT, CONSTANT CURRENT.
2. FOR DRIVER INSTALLATION INSTRUCTIONS, SEE DRIVER INSTRUCTION SHEET.
3. DETERMINE MOUNTING LOCATION FOR LED LUMINAIRE.  
NOTE: EYELID SHOULD BE HORIZONTAL (OR AS SPECIFIED) TO FLOOR.
4. DRILL WIRE CLEARANCE HOLE (3/8" DIA.) PER MOUNTING GUIDE.
5. ROUTE LED LUMINAIRE WIRE THROUGH 3/8" HOLE BACK TO DRIVER.
6. WARNING!! IMPROPER WIRING WILL DAMAGE LED.  
CONNECT DRIVER OUTPUT WIRES TO LED LUMINAIRE WIRES BLACK(-) TO BLACK(-), RED(+) TO RED(+) USING MALE /FEMALE CONNECTORS AS SHOWN. WARNING!! FOR SERIES CONNECTIONS SEE DRIVER INSTRUCTION SHEET FOR FURTHER DETAILS.

NOTE: IF DRIVER DOES NOT HAVE MALE/FEMALE CONNECTORS, CUT AND STRIP WIRES FROM FIXTURE AND WIRE BLACK(-) TO BLACK(-), RED(+) TO RED(+) USING WIRE NUTS ACCORDING TO DRIVER WIRING INSTRUCTIONS.

7. SECURE LED LUMINAIRE USING (2) NO 8 TRIM SCREWS PROVIDED. MAKE SURE THAT ALL EXCESS WIRING IS INSERTED INTO CLEARANCE HOLE TO INSURE WIRES ARE NOT PINCHED DURING INSTALLATION.
8. TURN POWER ON TO FIXTURE.



**MOUNTING GUIDE  
NOT TO SCALE**



NOTE ORIENTATION OF LED FIXTURE WIRE EXIT AND USE APPROPRIATE HOLE.