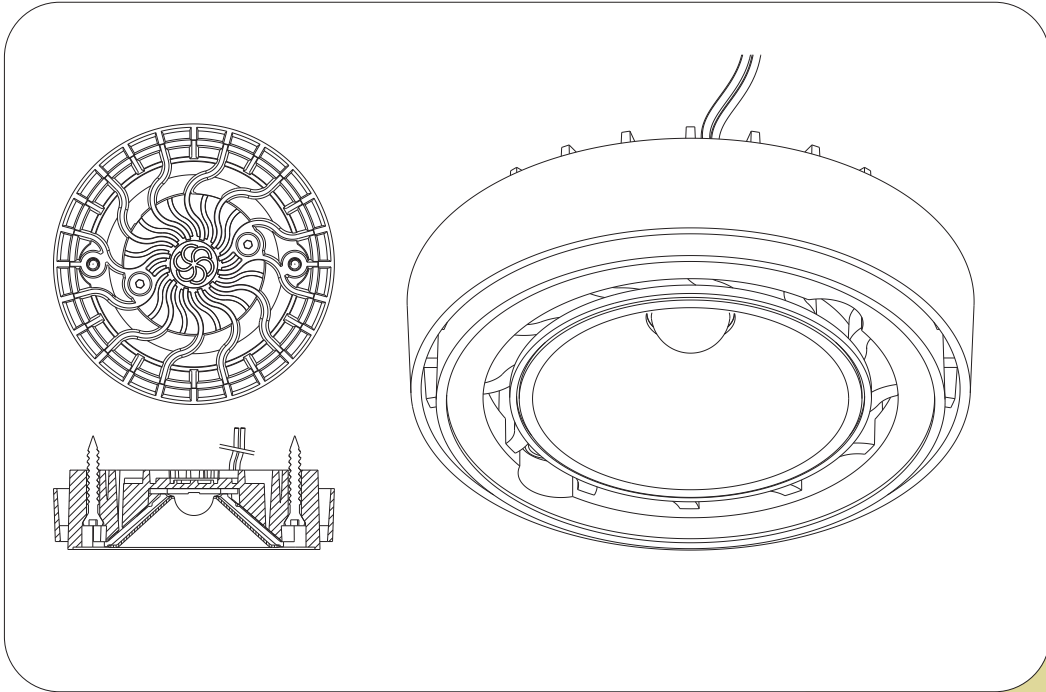


ALYA SERIES LED LUMINAIRE

LOW-PROFILE SURFACE MOUNT



Project: _____
 Fixture Type: _____
 Product Code: _____



DIMENSIONS
 Diameter: 3-5/16"
 Height: 1"
 Mounting
 Screw Spacing: 2-3/8"

LED is replaceable and
 can be upgraded.

ADA Compliant

PRODUCT CODE

Luminaire Type	LED	Distribution	Finish
ASM - Alya Series Surface Mounting	3.6W8541K - 3.6 W, 85CRI, 4100 K 3.6W8535K - 3.6 W, 85CRI, 3500 K 3.6W8530K - 3.6 W, 85CRI, 3000 K <i>Consult factory for 1.2 watt and 70 CRI choices.</i>	WD - Wide MD - Medium ND - Narrow	WH - White AL - Metallic Aluminum BK - Black <i>Consult factory for other finishes.</i>

PRODUCT SPECIFICATIONS

HOUSING & REFLECTOR

Die-cast Al housing, powder coat paint finish. Integral thermal management system utilizes expanded Al carrier attached by TiBz loaded adhesive to insure long life and lumen maintenance. Die cast Al high-reflectance white (WD) and spun anodized Al reflectors (MD & ND) create optimal balance of visual cut off and smooth light output.

LED

GE™ Vio™ high power violet-base white LED. 70 or 85 CRI. Less than 75K color shift and 70% lumen maintenance over 50,000 hour life. Sub binned by 3Style for LED to LED color variation: +/- 50K over full distribution. No Ultra Violet light. RoHS compliant, mercury free. Leads: 22" 26AWG with polarized quick connect. Requires 350mA driver, not included. See data sheet 3S04-10 for driver choices.

MOUNTING

Recessed, square drive, stainless steel trim-head screws (included) for vertical or horizontal surface of displays, shelves, cabinets, etc.

LISTINGS

Manufactured with UL Recognized Components. Class 2 low voltage. Damp location. Consult factory for wet location use.

CANDELA DISTRIBUTION

Narrow 40°		Medium 90°		Wide 115°	
Degree	cd	Degree	cd	Degree	cd
90	0	90	0	90	0
80	0	80	0	80	1
70	0	70	0	70	2
60	0	60	7	60	14
50	7	50	22	50	28
40	22	40	39	40	37
30	42	30	53	30	40
20	75	20	57	20	40
10	139	10	58	10	40
0	152	0	58	0	41

Patent Pending